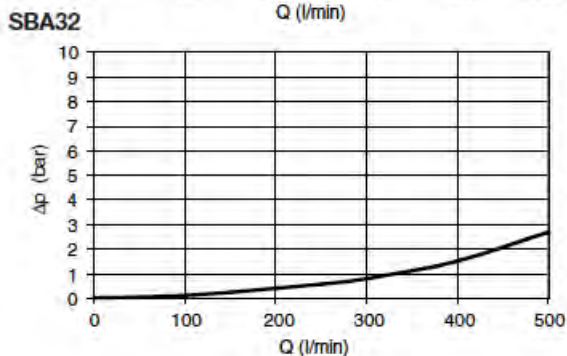
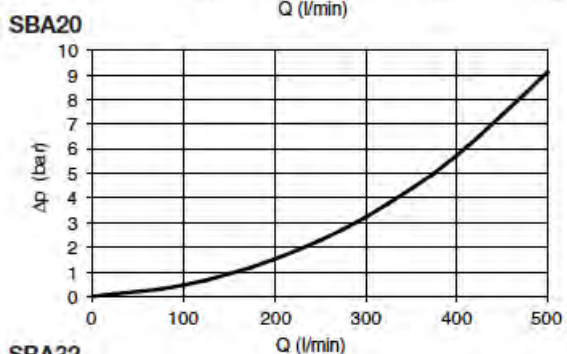
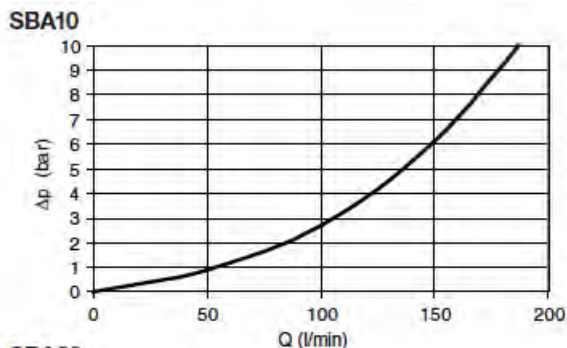


# SBA Series Safety Block

## TECHNICAL DATA SBA SAFETY BLOCK

- **Construction**
  - shut-off valve: ball valve
  - pressure relief: poppet-type valve with damping
  - manually-operated discharge valve: poppet-type valve
  - electrically-operated discharge valve: poppet-type valve (where fitted)
- **Port type** - see table below
- **Mounting position** - Accumulator port A facing upwards
- **Mounting screws (not supplied)**  
 M8 to grade 10.9, max. torque 26 + 4Nm
- **Ambient temperature** : -30°C to +80°C
- **Max. operating pressure:** 350 bar
- **Relief flow rate G at pnom:** see table below
- **Fluid:** Mineral oil according to DIN/ISO. For other fluid types, please contact the Parker.
- **Operating temperature** : -15°C to +80°C
- **Viscosity:** 10 to 800 mm<sup>2</sup>/s
- **Δp-Q-graphs:** see right side of this page
- **Electrical discharge:** U=24VDC, 105VDC (for 115V/60 Hz AC supply), P=26W, 100% ED, IP 65 to DIN 40050, connector to DIN 43650 type A
- **Finish:** Black zinc phosphated
- **Seal material:** Nitrile

## Flow - Accumulator (A) to Pressure Port (P)



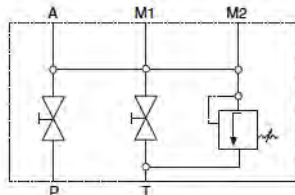
## Dimensions and Weights

Type	A1	P	T	M1	M2	Weight (Kg)	Model Number <sup>2</sup>
10M	M33x2	G1/2	G3/8	G1/2	G1/4	44	SBA10MT1
10E	M33x2	G1/2	G3/8	G1/2	G1/4	47	SBA10ET1
20M	M33x2	G1	G1/2	G1/2	G1/4	60	SBA20MT1
20E	M33x2	G1	G1/2	G1/2	G1/4	65	SBA20ET1
32M	Flange	G1 1/2	G1	G1/2	G1/4	12	SBA32MT1
32E	Flange	G1 1/2	G1	G1/2	G1/4	126	SBA32ET1

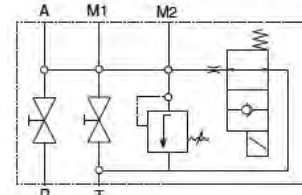
<sup>1</sup> A range of adapters is available for accumulator port A – Consult Division

<sup>2</sup> xxx = pressure setting of pressure relief valve – Consult Division

SBA Type M  
 Manually-Operated Discharge Valve



SBA Type E  
 Manually- and Electrically-Operated Discharge Valves



## SBA accessories

### Pressure Relief Valve

The function of the pressure relief valve is to protect the accumulator in service. If pressure exceeds the relief valve setting, the valve lifts off its seat and fluid is discharged to tank, allowing pressure in the system to fall to a safe level.

Because of its cartridge design, the pressure relief valve can be readily replaced by a valve with a different pressure setting, selected from the table. A new approval under PED 2014/68/EU is not required following this change. The pre-set relief pressure, in bar, is stamped onto the identification plate.

### Type Approval

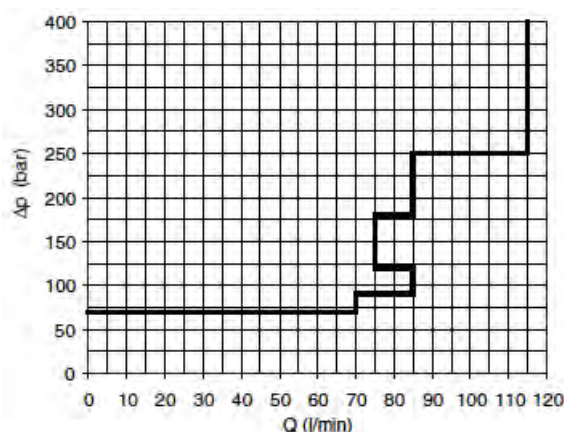
The pressure relief valve is checked and security sealed following approval, according to pressure vessel regulations. It carries a CE mark, type approval number and serial number. All valves are supplied with a certificate showing the pressure setting.

The documents supplied with the pressure relief valve must be retained, as they will be required in the event of repeat tests.

### Flow Limits for Safety Valve SV - All Models

Pressure P (bar)	Type	Item Number	
		Nitrile	Fluorelastomer
050	SV050	DBDS10K13/050/C	DBDS10K13/050V/C
070	SV070	DBDS10K13/070/C	DBDS10K13/070V/C
100	SV100	DBDS10K13/100/C	DBDS10K13/100V/C
120	SV120	DBDS10K13/120/C	DBDS10K13/120V/C
140	SV140	DBDS10K13/140/C	DBDS10K13/140V/C
160	SV160	DBDS10K13/160/C	DBDS10K13/160V/C
200	SV200	DBDS10K13/200/C	DBDS10K13/200V/C
210	SV210	DBDS10K13/210/C	DBDS10K13/210V/C
250	SV250	DBDS10K13/250/C	DBDS10K13/250V/C
280	SV280	DBDS10K13/280/C	DBDS10K13/280V/C
300	SV300	DBDS10K13/300/C	DBDS10K13/300V/C
330	SV330	DBDS10K13/330/C	DBDS10K13/330V/C

### Flow Limits for Safety Valve SV - All models



# SBA Series: How to order a SBA Safety Block

**SBA 10 M T 1 050**

**Type**

SBA

**Size**

Code:	Size:
10	NG10
20	NG20
32	NG32

**Discharge Valve**

Code:	Discharge:
M	Manual
E	Manual + Electrical

**Pressure Port**

Code:	Pressure Port:
T	Thread

**Seal Compound**

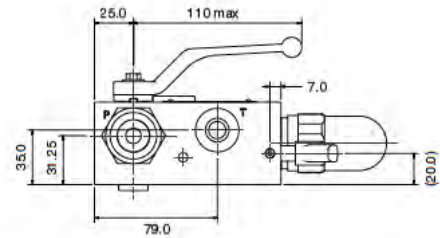
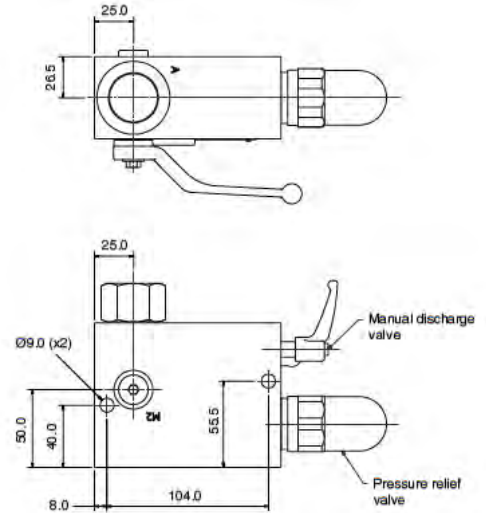
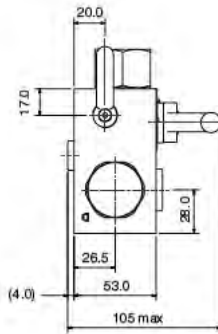
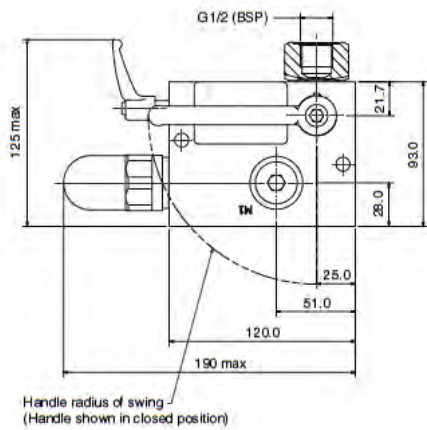
Code:	Seals:
1	Nitrile
5	Fluoreslatomer

**Pressure Setting**

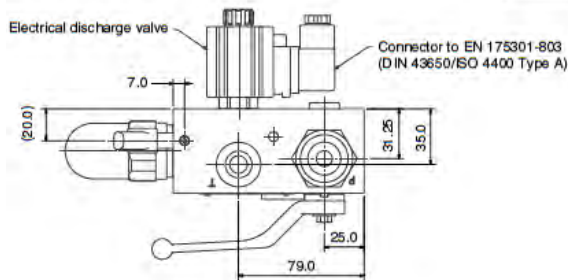
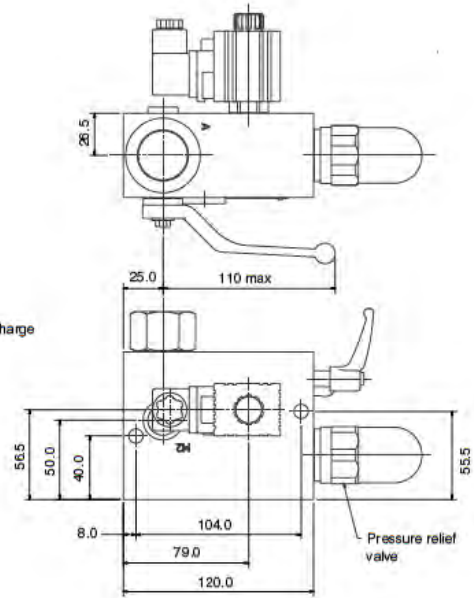
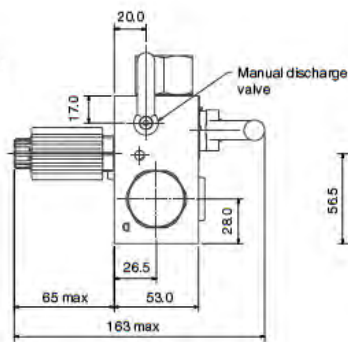
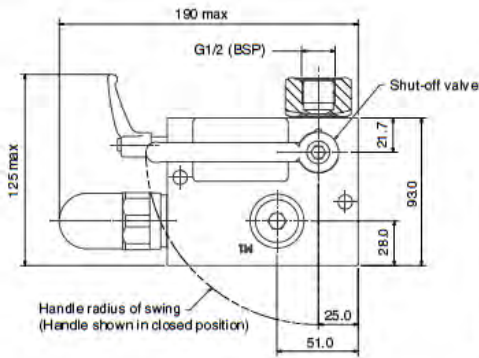
Code:	Pressure setting:
050	
070	
100	
120	
others available	
See table above	

## TECHNICAL DATA SAFETY BLOCK

# SBA10MT1

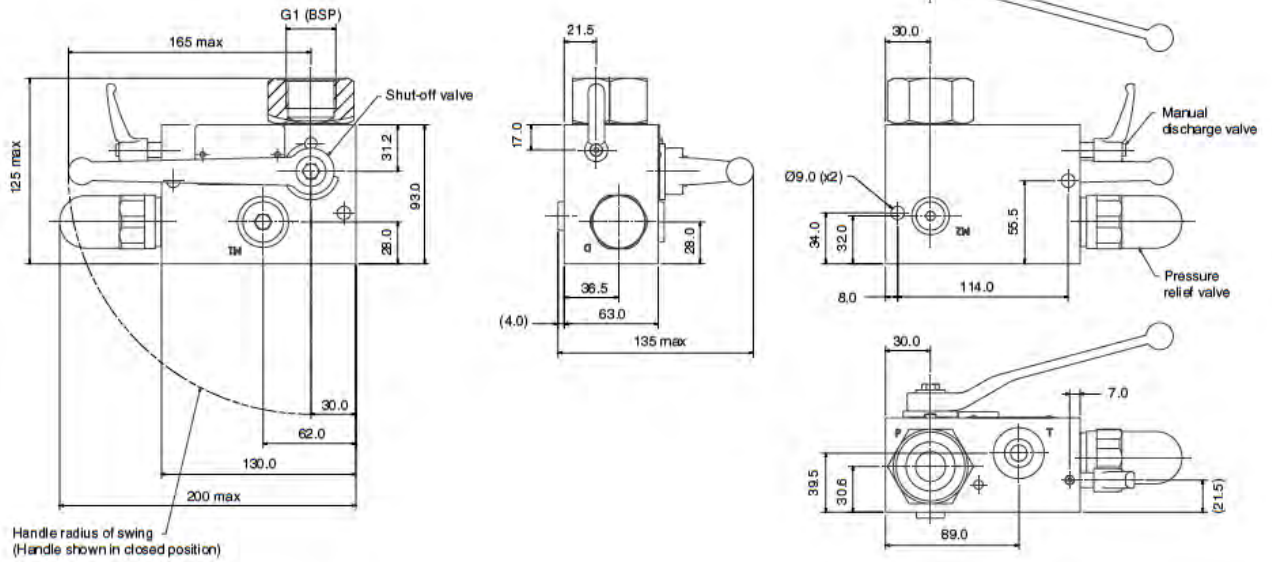


# SBA10ET1

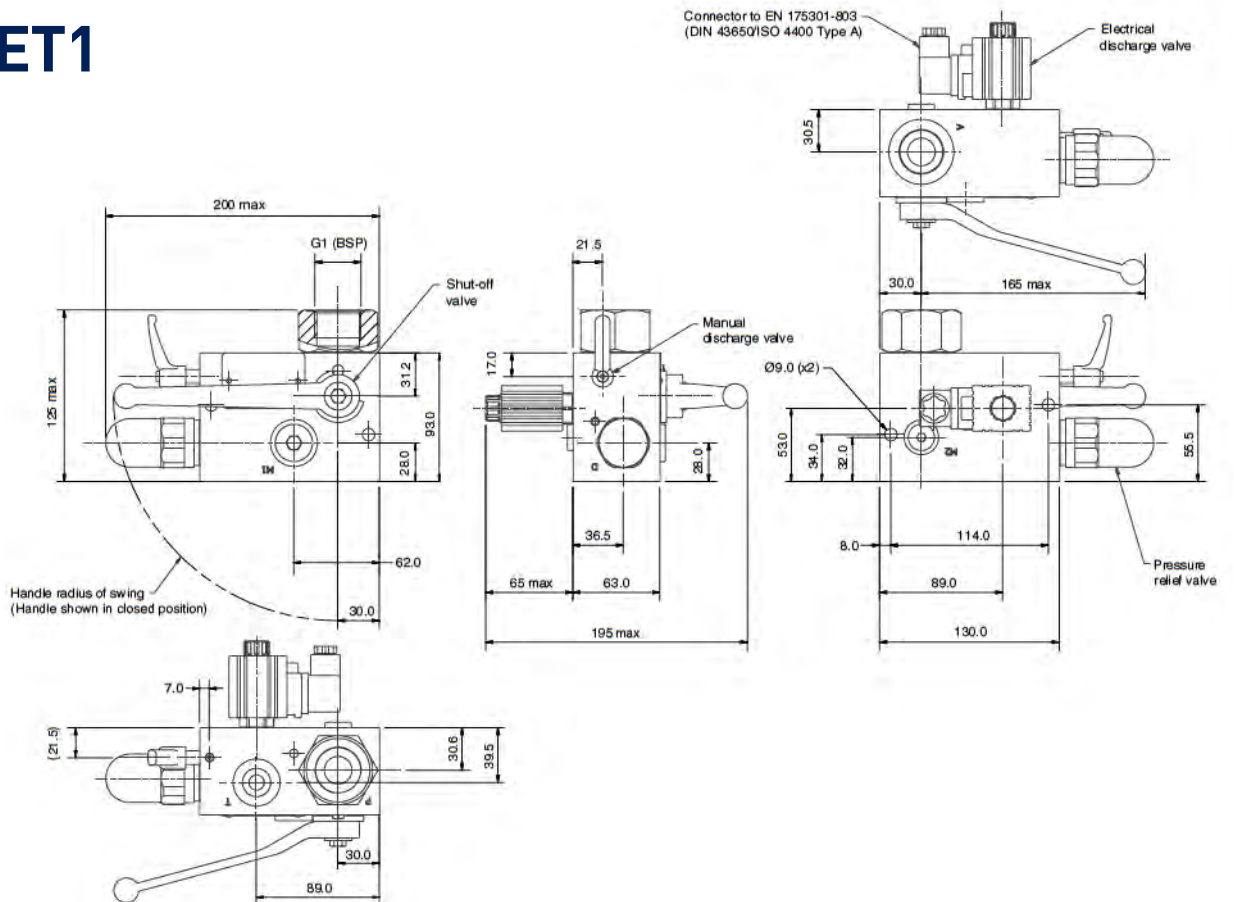


Above dimensions are in mm and are subject to manufacturing tolerances.

# SBA20MT1

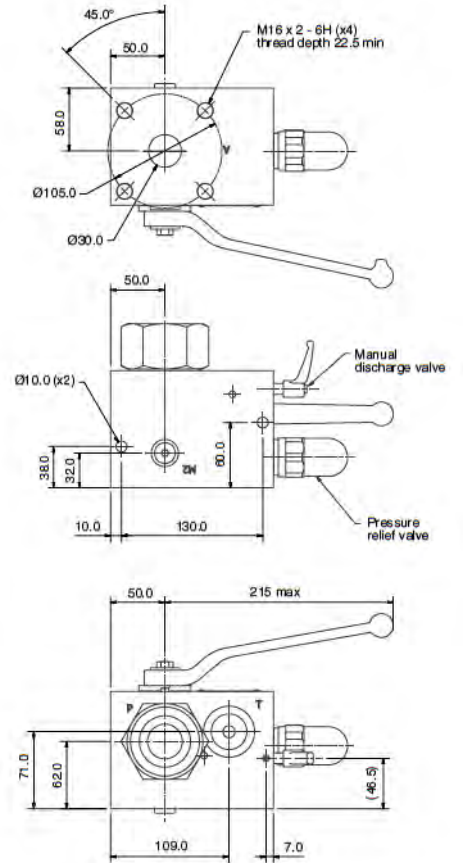
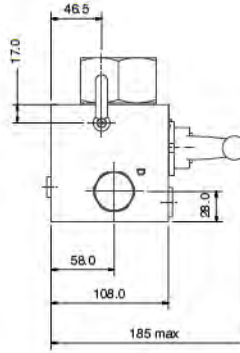
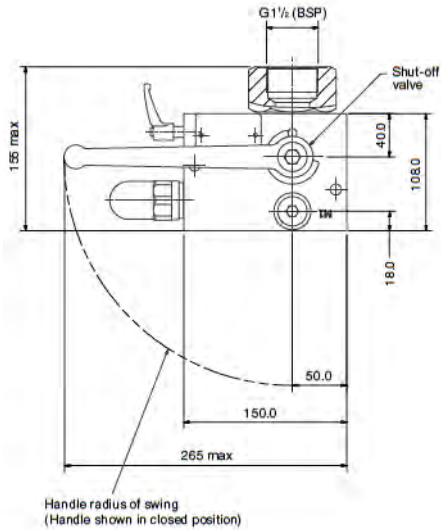


# SBA20ET1

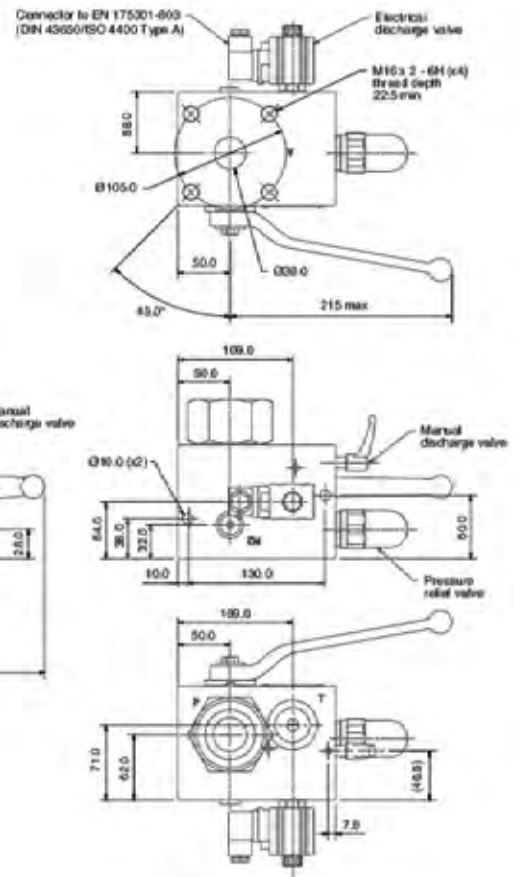
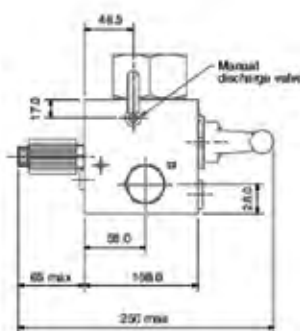
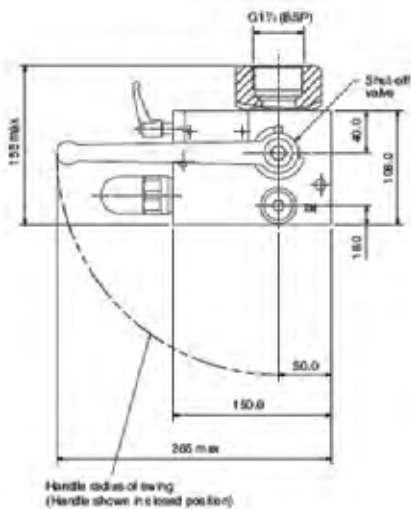


Above dimensions are in mm and are subject to manufacturing tolerances.

# SBA32MT1



# SBA32ET1

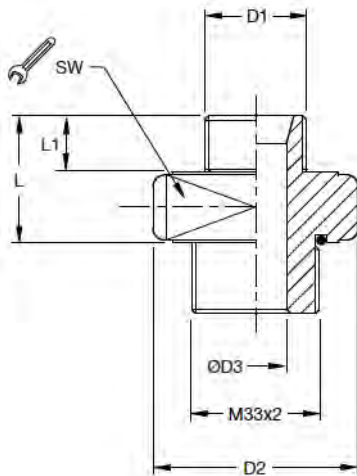


Above dimensions are in mm and are subject to manufacturing tolerances.

# Adapters - Accumulator to SBA Safety Block

Accumulator Fluid Port D1		Safety Block Port A	SW	L	L1	D2	D3	Weight (Kg)	Part Number	Use with SBA	For Accumulator Type		
											Bladder	Diaphragm	Piston
G3/4	ISO 228	M33 x2	46	33	16	53	16	04	UEST-T-3/4	10 & 20	x		
G1 1/4	ISO 228	M33 x2	55	41	20	63	20	04	UEST-T-1 1/4	10 & 20	x		
G2	ISO 228	M33 x2	80	46	22	90	20	15	UEST-T-2	10 & 20	x		
G2	ISO 228	Flange 100	-	50	22	-	30	22	UEST-F-2	32	x		
G1/2	ISO 228	M33 x2	46	34	14	53	12	04	UEST-T-1/2ED	10 & 20		x	x
G3/4	ISO 228	M33 x2	46	36	16	53	16	04	UEST-T-3/4ED	10 & 20		x	x
G1 1/2	ISO 228	Flange 100	-	70	22	-	30	23	UEST-F-1 1/2	32			x

Threaded Adapter  
 UEST-T-xx



Flanged Adapter  
 UEST-F-xx

